



<b>Project:</b> TL 6021	<b>Contract:</b> 1388-1
<b>Subject:</b> Connection details	<b>Sheet No.</b> 1
<b>Date:</b> 27/05/2020	<b>By:</b> TS

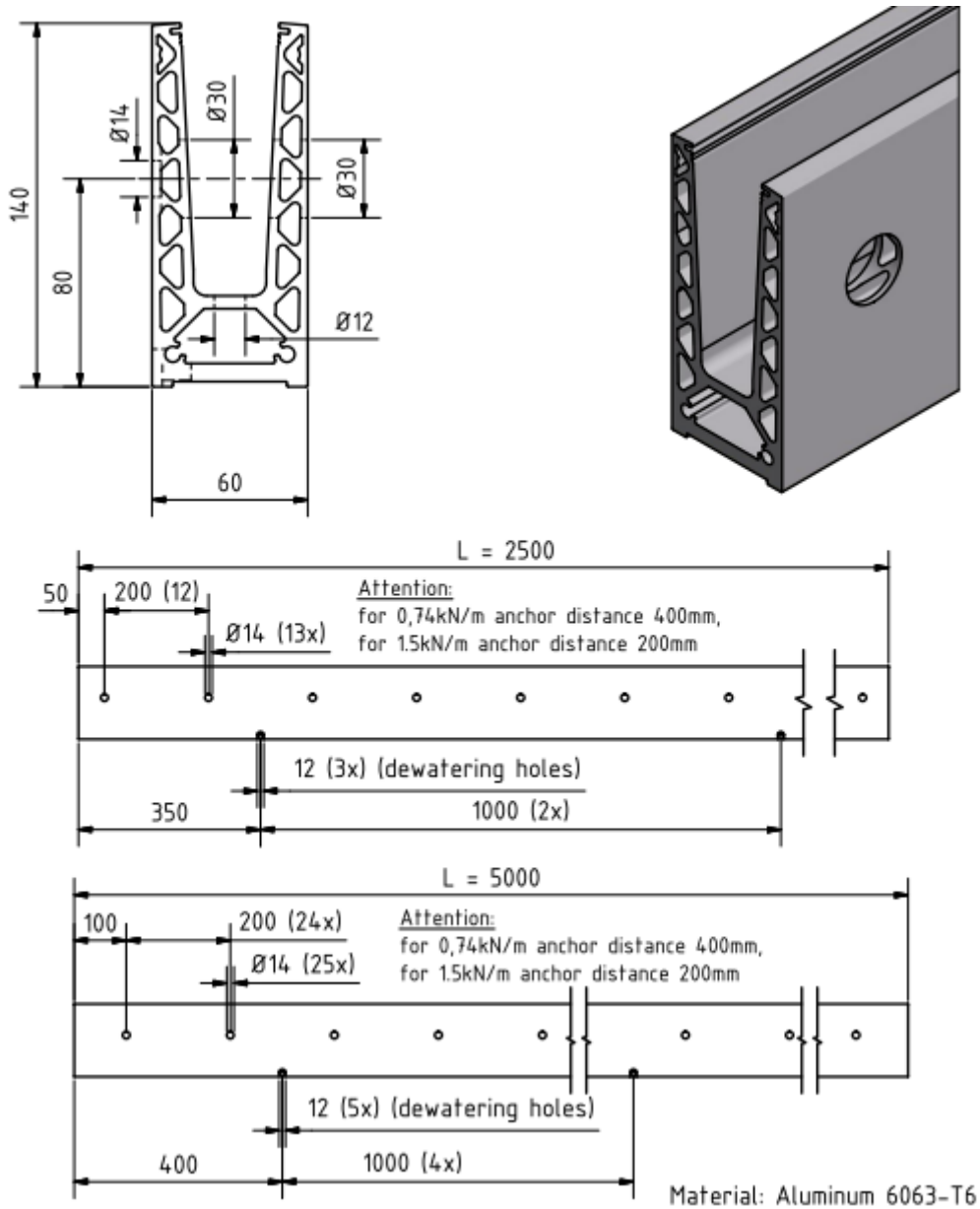
Concorde Glass Ltd.,  
Linx House,  
104 Waterloo Rd,  
Mablethorpe,  
LN12 1LE,  
UK.

Connection Details  
Concrete  
Steel  
Wood  
TL 6021

0	27/05/2020	T.S.	Issued
Revision	Date	Issued By	Comment

<b>Project:</b> TL 6021	<b>Contract:</b> 1388-1
<b>Subject:</b> Connection details	<b>Sheet No.</b> 2
<b>Date:</b> 27/05/2020	<b>By:</b> TS

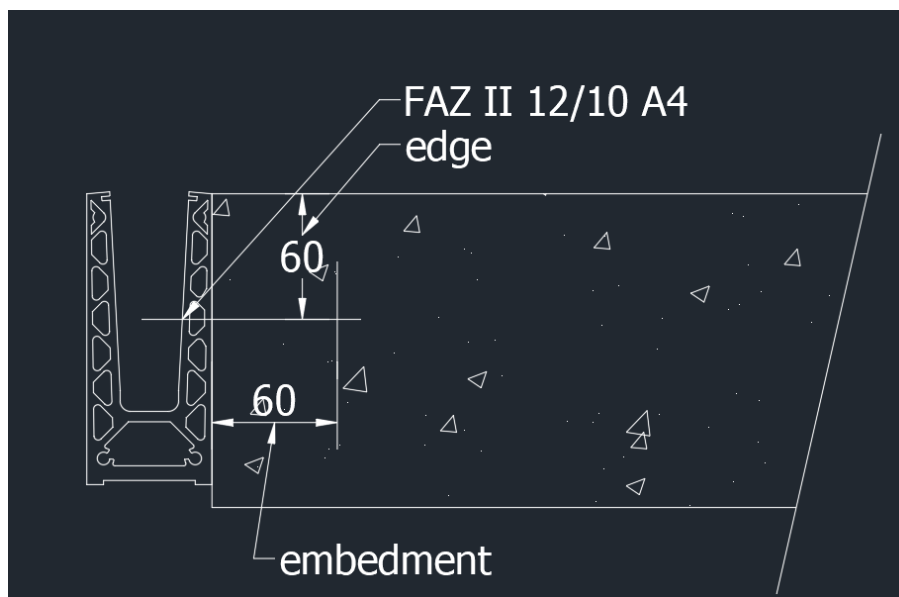
Shoe TL 6020:



<b>Project:</b> TL 6021	<b>Contract:</b> 1388-1
<b>Subject:</b> Connection details	<b>Sheet No.:</b> 3
<b>Date:</b> 27/05/2020	<b>By:</b> TS

**Connection to Concrete (Min Grade C25)**

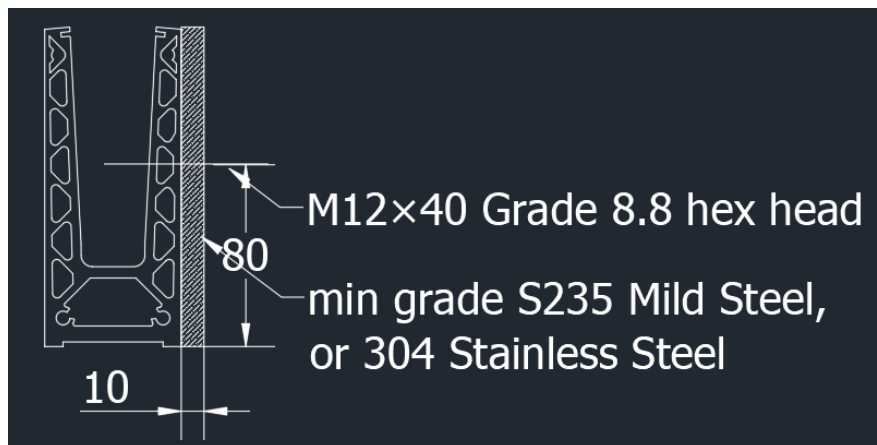
	kN/m			mm	mm	mm
Glass	kN Rating	Suitable wind load	Fixing to Concrete	Hole Spacing	Min Edge	Embedment
12mm	0.36	N/A	FAZ II 12/10 A4	400	60	60
15mm	0.74	Low	FAZ II 12/10 A4	200	60	60
15mm	0.74	Medium	FAZ II 12/10 A4	200	60	60
15mm	0.74	High	FAZ II 12/10 A4	200	60	60
21.52mm	0.74	Low	FAZ II 12/10 A4	200	60	60
21.52mm	0.74	Medium	FAZ II 12/10 A4	200	60	60
21.52mm	0.74	High	FAZ II 12/10 A4	200	60	60



<b>Project:</b> TL 6021	<b>Contract:</b> 1388-1
<b>Subject:</b> Connection details	<b>Sheet No.</b> 4
<b>Date:</b> 27/05/2020	<b>By:</b> TS

Connection to Steel (min grade S235 Mild / 304 Stainless)

	kN/m			mm
Glass	kN Rating	Suitable wind load	Fixing To Steel	Hole Spacing
12mm	0.36	N/A	M12×40 Grade 8.8 hex head	600
15mm	0.74	Low	M12×40 Grade 8.8 hex head	600
15mm	0.74	Medium	M12×40 Grade 8.8 hex head	600
15mm	0.74	High	M12×40 Grade 8.8 hex head	600
21.52mm	0.74	Low	M12×40 Grade 8.8 hex head	600
21.52mm	0.74	Medium	M12×40 Grade 8.8 hex head	600
21.52mm	0.74	High	M12×40 Grade 8.8 hex head	600



<b>Project:</b> TL 6021	<b>Contract:</b> 1388-1
<b>Subject:</b> Connection details	<b>Sheet No.</b> 5
<b>Date:</b> 27/05/2020	<b>By:</b> TS

### Connection to Wood (Min Grade C16)

Glass	kN/m	Suitable wind load	Fixing To Wood	mm
kN Rating				Hole Spacing
12mm	0.36	N/A	M12×80 Grade 8.8 hex head	600
15mm	0.74	Low	M12×80 Grade 8.8 hex head	600
15mm	0.74	Medium	M12×80 Grade 8.8 hex head	600
15mm	0.74	High	M12×80 Grade 8.8 hex head	600
21.52mm	0.74	Low	M12×80 Grade 8.8 hex head	600
21.52mm	0.74	Medium	M12×80 Grade 8.8 hex head	600
21.52mm	0.74	High	M12×80 Grade 8.8 hex head	600

