



<b>Project:</b> POST WITH SADDLE	<b>Contract:</b> 1388-4
<b>Subject:</b> CONNECTION	<b>Sheet No.</b> 1
<b>Date:</b> 27/05/2020	<b>By:</b> TS

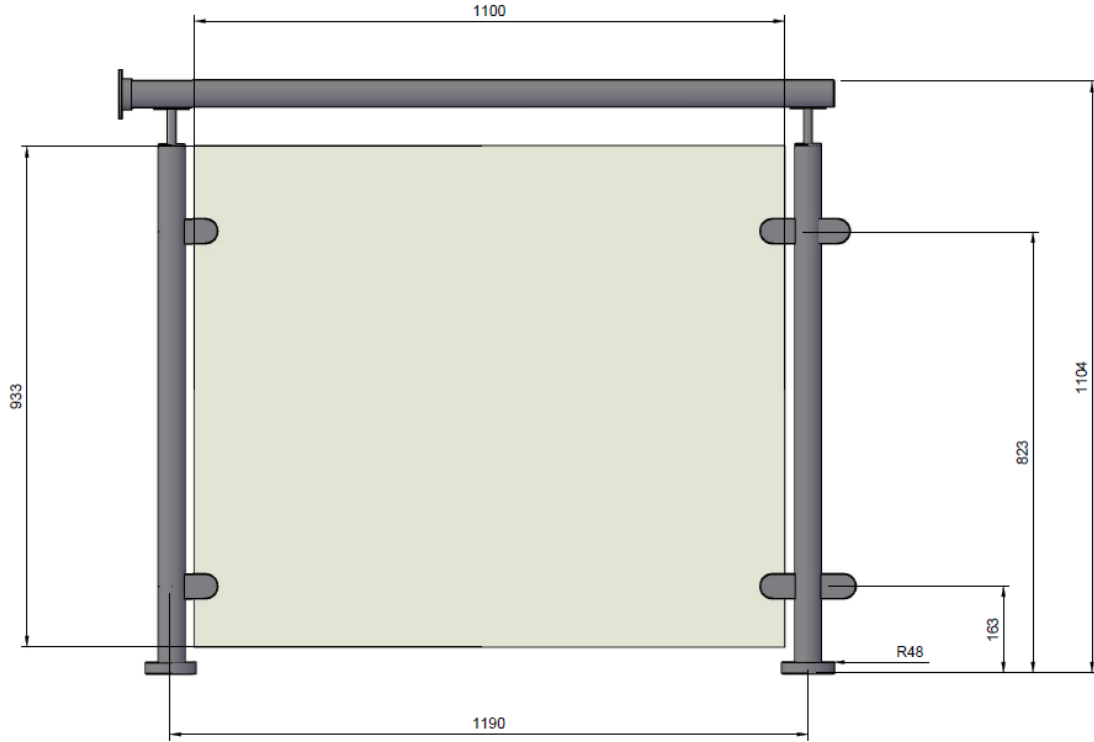
Concorde Glass Ltd.,  
Linx House,  
104 Waterloo Rd,  
Mablethorpe,  
LN12 1LE,  
UK.

POST WITH SADDLE CONNECTION  
CONCRETE  
STEEL  
WOOD

0	27/05/2020	T.S.	Issued
<b>Revision</b>	<b>Date</b>	<b>Issued By</b>	<b>Comment</b>

<b>Project:</b> POST WITH SADDLE	<b>Contract:</b> 1388-4
<b>Subject:</b> CONNECTION	<b>Sheet No.</b> 2
<b>Date:</b> 27/05/2020	<b>By:</b> TS

System Sketch:

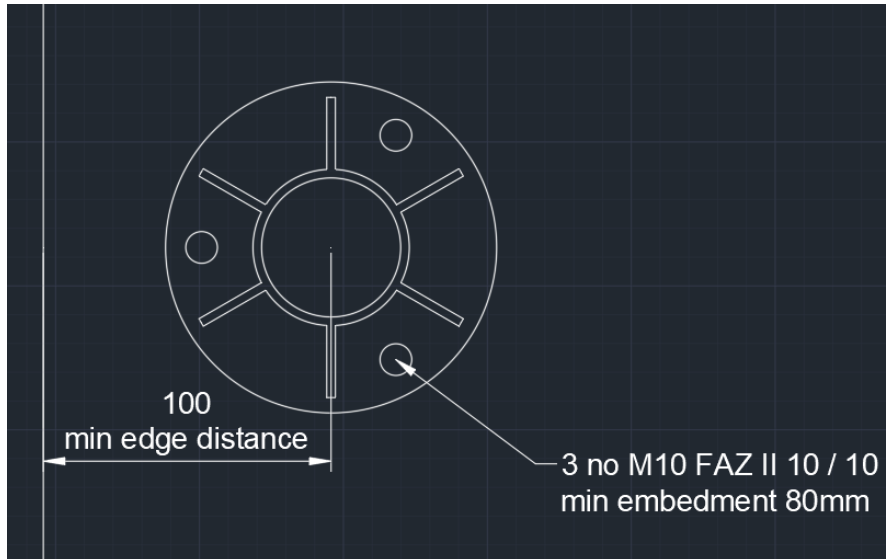


Top Fix Post, Saddle System

<b>Project:</b> POST WITH SADDLE	<b>Contract:</b> 1388-4
<b>Subject:</b> CONNECTION	<b>Sheet No.</b> 3
<b>Date:</b> 27/05/2020	<b>By:</b> TS

### Connection to Concrete

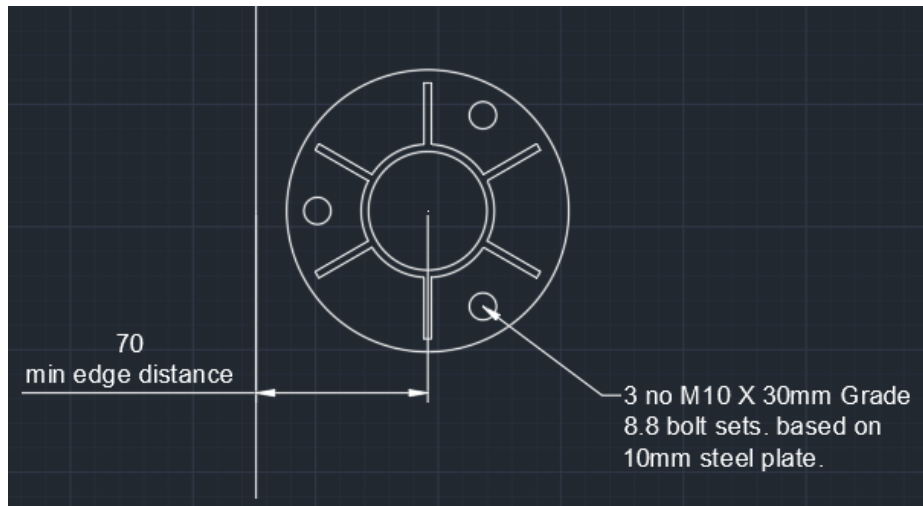
	kN/m			mm	mm
Glass	kN Rating	Suitable wind load	Fixing to Concrete	Min Edge	Embedment
10mm	0.36	N/A	M10 FAZ II 10/10	100	80
10mm	0.74	Low	M10 FAZ II 10/10	100	80
10mm	0.74	Medium	M10 FAZ II 10/10	100	80
10mm	0.74	High	M10 FAZ II 10/10	100	80
12mm	0.74	Low	M10 FAZ II 10/10	100	80
12mm	0.74	Medium	M10 FAZ II 10/10	100	80
12mm	0.74	High	M10 FAZ II 10/10	100	80



<b>Project:</b> POST WITH SADDLE	<b>Contract:</b> 1388-4
<b>Subject:</b> CONNECTION	<b>Sheet No.</b> 4
<b>Date:</b> 27/05/2020	<b>By:</b> TS

### Connection to steel

Glass	kN/m	Suitable wind load	Fixing To Steel
10mm	0.36	N/A	M10 X 30 Grade 8.8 hex head
10mm	0.74	Low	M10 X 30 Grade 8.8 hex head
10mm	0.74	Medium	M10 X 30 Grade 8.8 hex head
10mm	0.74	High	M10 X 30 Grade 8.8 hex head
12mm	0.74	Low	M10 X 30 Grade 8.8 hex head
12mm	0.74	Medium	M10 X 30 Grade 8.8 hex head
12mm	0.74	High	M10 X 30 Grade 8.8 hex head



<b>Project:</b> POST WITH SADDLE	<b>Contract:</b> 1388-4
<b>Subject:</b> CONNECTION	<b>Sheet No.</b> 5
<b>Date:</b> 27/05/2020	<b>By:</b> TS

### Connection to Wood

Glass	kN/m		
Glass	kN Rating	Suitable wind load	Fixing To Wood
10mm	0.36	N/A	RAMPA SKL M10 X 60
10mm	0.74	Low	RAMPA SKL M10 X 60
10mm	0.74	Medium	RAMPA SKL M10 X 60
10mm	0.74	High	RAMPA SKL M10 X 60
12mm	0.74	Low	RAMPA SKL M10 X 60
12mm	0.74	Medium	RAMPA SKL M10 X 60
12mm	0.74	High	RAMPA SKL M10 X 60

